



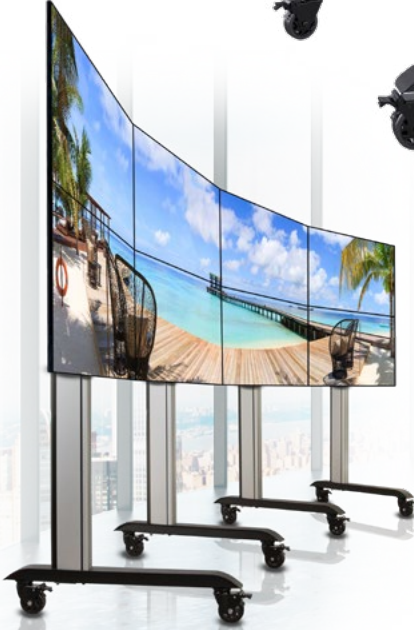
AVAILABLE
 IN MULTIPLE
 CONFIGURATIONS

BT8374

UNIVERSAL MOBILE CURVED VIDEOWALL STAND

Designed to create curved videowalls, the BT8374 is a mobile mounting solution with a universal design suitable for all videowall screens from 39" to 70". As part of B-Tech's dynamic System X range, this contemporary mounting solution is lightweight yet incredibly strong, has a high-end aesthetic quality and comes with important time saving features such as integrated angle guides, tool-less micro-adjustment and a universal screen position spacer to speed up the installation process.

SHOWN IN A 4X2
 CONFIGURATION



SPECIFICATION	
For screen sizes	39" - 70"
Max load	50kg per screen
Angle adjustment range	+/- 45°
VESA® & non-VESA fixings	up to 900mm*
Colour options	Black or Silver

FEATURES

- Configurable mounting solution available to order to your requirements, from stock - see configurator info
- Universal design suitable for all videowall screens
- High-end aesthetic quality
- Easy to use angle adjustment - set before or after installation
- Integrated angle guides eliminate the need to measure required angles
- Integrated rail mounting guides ensure the join position is consistent throughout the installation without the need to measure
- Tool-less micro-adjustments for seamless screen alignment
- Also available with pop-out interface arms
- Integrated cable management
- Universal screen position spacer to speed up the installation process
- Includes non-marking 4" locking/braked castors and alternative levelling feet
- Safety screws help prevent unauthorised removal of screens
- Simple installation with all mounting hardware included

SYSTEM X

70" 177CM VESA 900 50KG PER SCREEN

*Refers to maximum vertical fixing dimension for a typical configuration. Correctly sized interface arms and adaptors will be supplied as necessary to suit the mounting pattern you require.



Angle up to +/-45° to create a concave or convex curved videowall



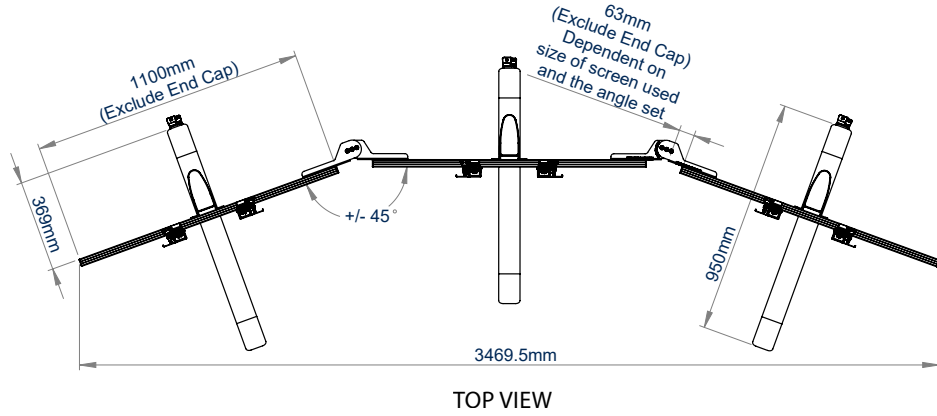
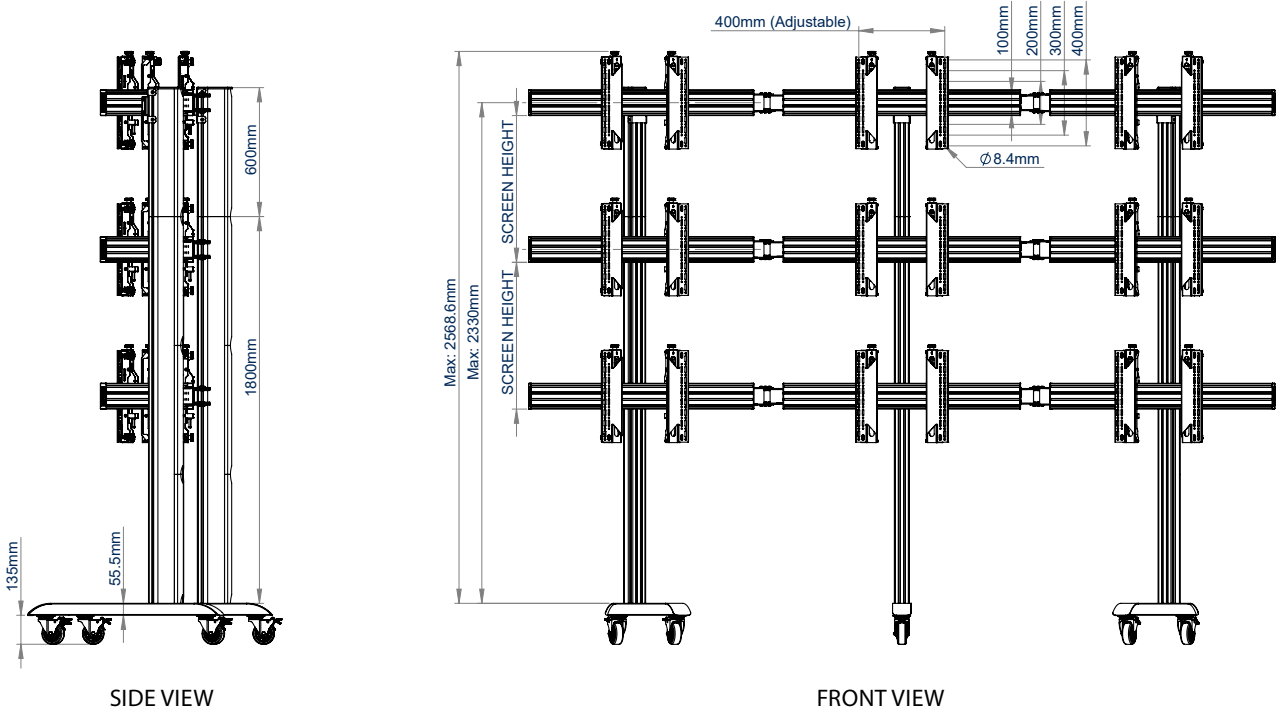
Tool-less micro-adjustment for seamless screen alignment



Includes BT8390-VESA400MAP mounts



Integrated cable management covers hide untidy cables and add to the stylish finish



PACKING INFORMATION		PLEASE NOTE, THIS IS A MULTI-BOX ITEM
COLOUR:	ORDER REF:	EAN CODE:
Black / Black	BT8374/BB	5019318301476
Black / Silver	BT8374/BS	5019318301469

ORIGINAL DESIGNS BY B-TECH AV MOUNTS - REGISTERED DESIGNS & PATENTS APPLY

RELATED PRODUCTS



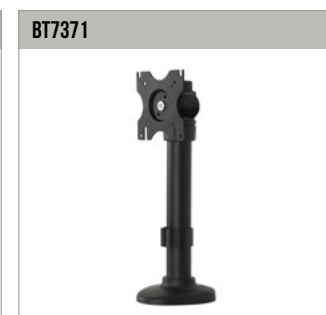
BT8373
Universal Freestanding Curved Videowall Stand shown as a 2x4 Videowall



BT8375
Universal Blot Down Curved Videowall Stand shown as a 2x4 Videowall



BT8376
Universal Freestanding Curved Videowall Mount shown as a 2x4 Videowall



BT7371
Desk Mount With Swivel for easy height adjustment using tool-less locking collar

© 2016 B-Tech Av Mounts Ltd. All rights reserved. The information in this specification is for reference only. B-Tech Av Mounts Ltd. is not responsible for any damage or loss of data caused by improper or misuse of the product. B-Tech Av Mounts Ltd. is not responsible for any damage or loss of data caused by improper or misuse of the product. B-Tech Av Mounts Ltd. is not responsible for any damage or loss of data caused by improper or misuse of the product. B-Tech Av Mounts Ltd. is not responsible for any damage or loss of data caused by improper or misuse of the product.